

SECTION A

PNEUMATIC PILOT CONTROLS



Valve Series
PNEUMATIC PILOT CONTROLS

Nominal Flow

PAGE

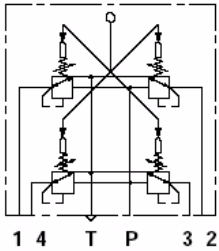
SP01 Series A 60

SP30 Series A 61

PNEUMATIC PILOT VALVES

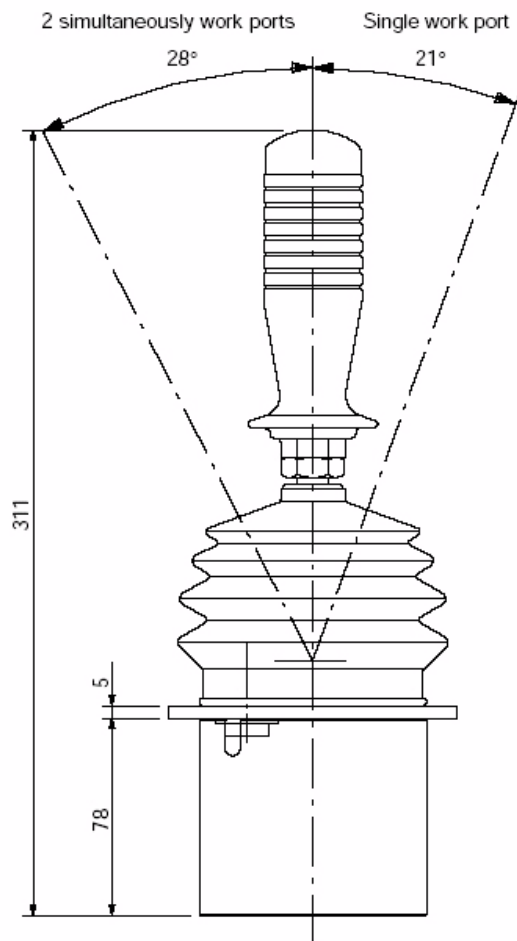
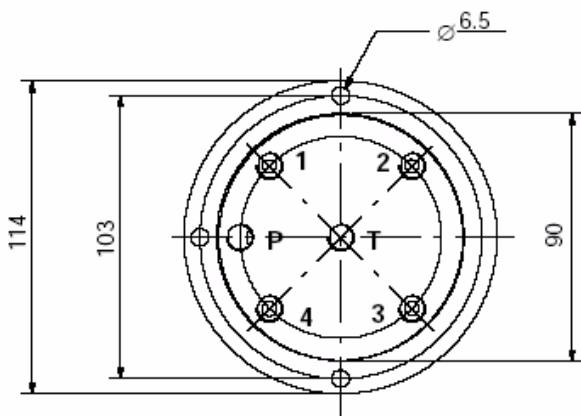
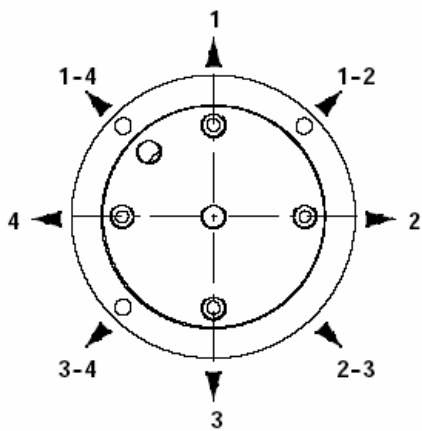
SP01 Series

Monoblock Dual Axis Joystick Pneumatic Pilot Valve with 1 lever and 4 workports for simultaneous operation of 2 valve sections.



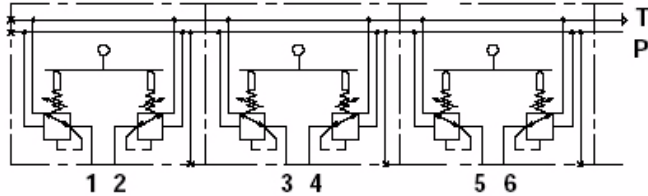
MODEL	PRESSURE CONTROL CURVE	List Price
SP01-N/01W-501AX4	0 - 8 BAR	\$POA

Movements



PNEUMATIC PILOT VALVES
SP30 Series

Sectional Pneumatic Valves 1 to 8 levers.



Type MODEL	Ports NPT	PRESSURE CONTROL CURVE	List Price
SP30/1-N/01G-501A-X2	1/8"	0 - 8 BAR	\$POA
SP30/2-N/01G-501A-X4			\$POA
SP30/3-N/01G-501A-X6			\$POA
SP30/4-N/01G-501A-X8			\$POA
SP30/5-N/01G-501A-X10			\$POA
SP30/6-N/01G-501A-X12			\$POA
SP30/7-N/01G-501A-X14			\$POA

