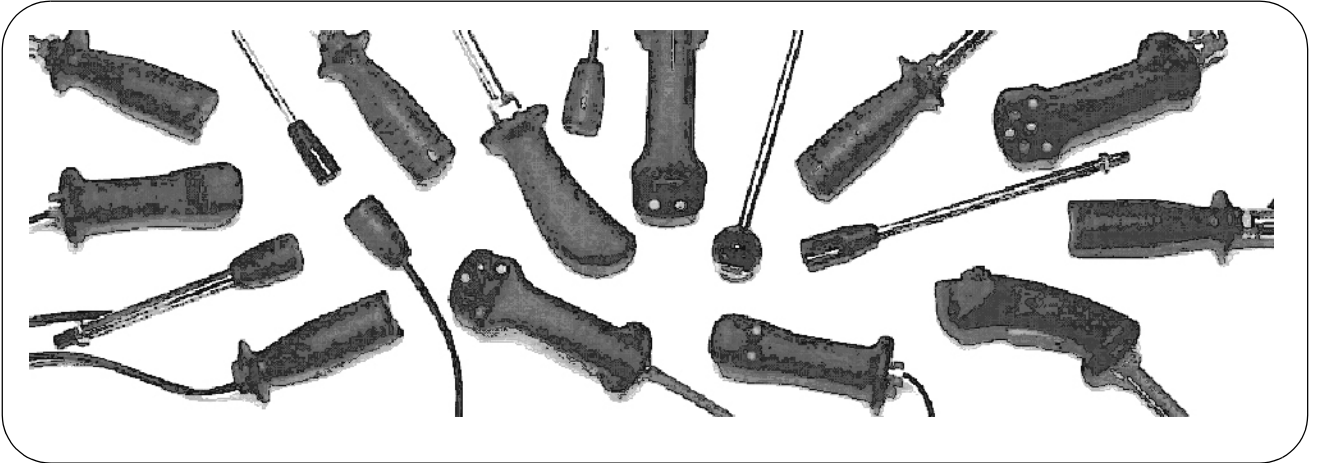


# SECTION A

## HANDLES

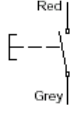

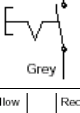
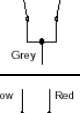
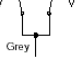


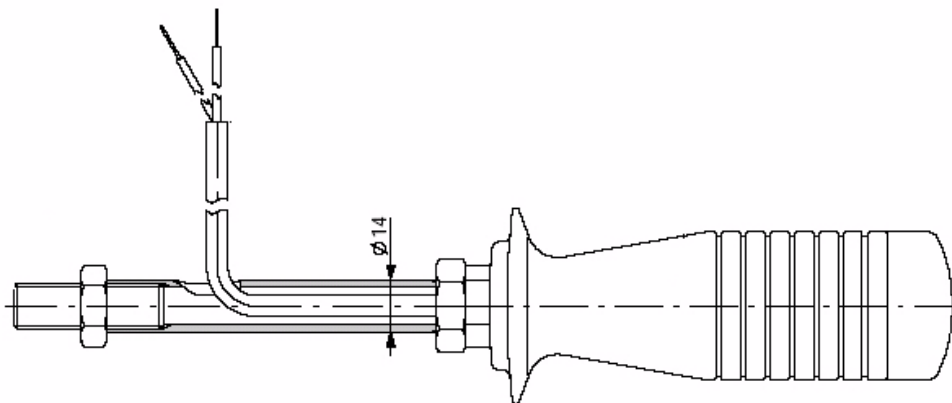
**This section offers a range of Ergonomic Handles** with or without Microswitches for auxiliary function control and a range of Hand Levers for valve lever operation.

The range of options is extensive and is not covered fully in this section so please inquire about additional options from our Sales Centres.

# CONTROLLER HANDLES

## Series 10

Model	Type	Electrical Circuit	Style	Function	Number of Positions	Button Control	Price
AL14/M10X250 AL14/M12X250	W	N/A	MOULDED	NONE	N/A	N/A	\$POA
AL15/M10X250 AL15/M12X250	X		PUSH BUTTON	ON/OFF	2	SPRING RETURN	\$POA
AL18/M10X250 AL18/M12X250	K		PROTECTED PUSH BUTTON	ON/OFF	2	SPRING RETURN	\$POA
AL16/M10X250 AL16/M12X250	Z		ROCKER	ON/OFF	2	DETENT	\$POA
AL17/M10X250 AL17/M12X250	Y		ROCKER	ON/OFF/ON	3	SPRING RETURN	\$POA
AL19/M10X250 AL19/M12X250	T		ROCKER	ON/OFF/ON	3	DETENT	\$POA

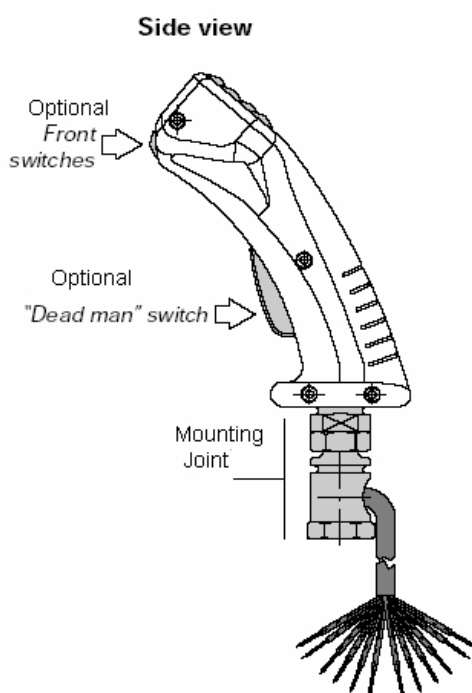
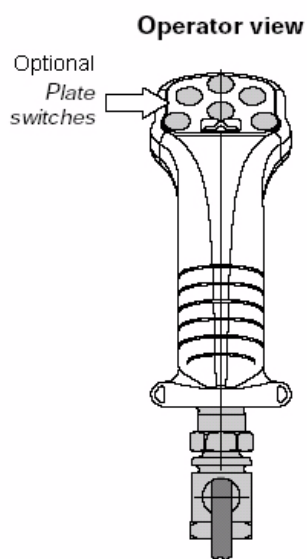


# ERGONOMIC HANDLES

## Series 40

Handles with up to 6 buttons

MODEL	TYPE	PLATE CONFIGURATION	NUMBER OF BUTTONS	LIST PRICE
21M4000000	00		NIL	\$POA
21M4000002	02		2	\$POA
21M4000003	03		3	\$POA
21M4000004	04		4	\$POA
21M4000005	05		5	\$POA
21M4000006	06		6	\$POA



### OPTIONS

- A) - Deadman Switch
- B) - Potentiometer
- C) - Rocker Switches

Please consult sales centre for Pricing of these Options

*My notes*